

# C3

## AIRCROSS

### SPECIFICATIONS



Variant	<b>SHINE</b>
Maximum Retail Price*	<b>\$42,990</b>
Clean Car Discount**	<b>\$0 (neutral)</b>

## TECHNICAL INFORMATION

Engine	1.2L PureTech 110
Engine type	3-cylinder turbo Petrol
Cubic capacity (cm <sup>3</sup> )	1199
Max Power — kW (hp) @ rpm	81 (110) @ 5500
Max Torque — Nm @ rpm	205 @ 1500
Transmission	6-speed automatic (EAT6)

## PERFORMANCE

Top speed (km/h)	183
0-100km/h (s) — driver only	10.6

## FUEL EFFICIENCY & EMISSIONS

Combined fuel consumption (L/100km) — 3P-WLTP***	7.3
Fuel tank capacity (L)	45
Combined CO2 emissions (g/km) — 3P-WLTP***	166
Emission standard	Euro 6

## WEIGHTS

Kerb weight (kg)	1188
Gross vehicle weight (kg)	1820
Max Towing capacity (kg) — braked/unbraked	840 / 620
Max Downball weight (kg)	65

## DIMENSIONS

Length / Width - excl. wing mirrors / Height - incl. roof bars (mm)	4160 / 1756 / 1637
Wheelbase (mm)	2604
Turning circle (m)	10.8
Boot volume (L) — min/max	410 / 1289

## WHEELS & TYRES

Tyre size	215/50 R17
Spare wheel	Space saver

\*Maximum Retail prices include GST and exclude OnRoad Costs. Citroën New Zealand reserves the right to alter specifications and prices without notice. All data in this specification sheet is believed to be correct at time of publishing.

\*\*NZ Government Clean Car Discount amount (rebate/neutral/fee) starting from 1st April 2022 is indicative and supplied for reference only. Amount is subject to change without notice.

\*\*\*Figures converted using official NZ Government calculator to 3P-WLTP from official manufacturer's NEDC tests in accordance with EU legislation.

## SAFETY & SECURITY

ABS with Electronic Braking Distribution (EBD) & Emergency Braking Assistance (EBA)	●
Electronic Stability Programme (ESP) & Hill Start Assist	●
Airbags (x6): Driver & Front passenger, Front side, Front & rear curtain	●
Electronic code immobiliser, deadlocking & Child locking functionality on rear doors	●
Front optimised safety headrests & rear retractable headrests (x3), height-adjustable	●
Front & rear three-point retractable seatbelts with force limiters (front & outer rear seats)	●
Outer rear seat ISOFIX mounting points (x2) with Top Tether	●
Tyre pressure monitoring system	●
Programmable cruise control & Speed limiter	●
Lane Departure Warning	●
Speed limit recognition & recommendation	●
Active Emergency Braking (AEB) with pedestrian detection	●
Blind Spot Monitoring	●
Driver Attention Alert & Forward Collision Warning	●

## LIGHTING & VISIBILITY

Eco-LED headlights with High Beam Assist	●
LED daytime running lights (DRL)	●
LED front fog lights with cornering function	●
'3D' rear light signature	●
Automatic lights & windscreen wipers	●
Welcome & 'Follow-me-home' light function	●

## BODY PAINTS

Bianca White (solid)	●
Khaki Grey (solid)	\$550
Cumulus Grey (metallic)	\$550
Nimbus Grey (metallic)	\$550
Nera Black (metallic)	\$550
Pepper Red (metallic)	\$550
Voltaic Blue (metallic)	\$550

## EXTERIOR STYLE & CUSTOMISATION

### ROOF COLOUR:

- Black
- White — not available with Bianca White & Pepper Red paints

### COLOUR PACK:

including front lower bumper trims, wing mirror shells & rear quarter window trim

- Black (without rear quarter window trim)
- White (with White rear quarter window trim) — available with all paints
- Orange (with Orange rear quarter window trim) — not available with Pepper Red paint

Gloss black roof bars

Black front & rear lower bumpers with silver trim

Black wheel arch extensions

Overtinted rear windows

Opening panoramic roof with electric interior blind

17" 'ORIGAMI' diamond cut alloy wheels

17" 'ORIGAMI' black alloy wheels

## INTERIOR FEATURES

Instrument cluster with white LCD multi-function information display & chrome surround

Colour head-up display

Leather steering wheel & gear knob

Front interior light with reading spotlights (x2) & Rear interior light

Boot light (x1)

Flat-folding front passenger seat backrest

60/40 folding rear seats

2-position modular boot floor

## SEATING & UPHOLSTERY

### 'METROPOLITAN GRAPHITE' AMBIANCE:

- Black leatherette & grey cloth upholstery
- Advanced Comfort Seats
- Driver seat with height adjustment & armrest
- Map pockets on rear of front seats
- Grey cloth dashboard finish with chrome air vent & gloss black trims

## COMFORT & CONVENIENCE

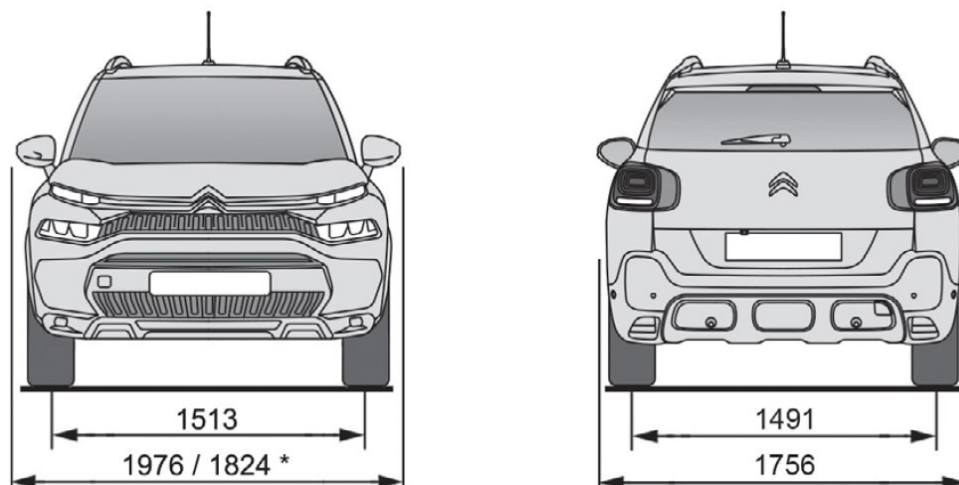
Automatic air conditioning	●
Front & rear door storage compartments with bottle holder	●
Central console with storage compartment & cupholders (x2)	●
Electric, heated & folding wing mirrors	●
Auto-dimming rear view mirror	●
Reach & rake adjustable steering column	●
One-touch electric front & rear windows with pinch protection	●
Front & rear parking sensors with 180° colour reversing camera	●
Park Assist (semi-auto)	●
Keyless access & Start push button	●

## IN-CAR ENTERTAINMENT & COMMUNICATION

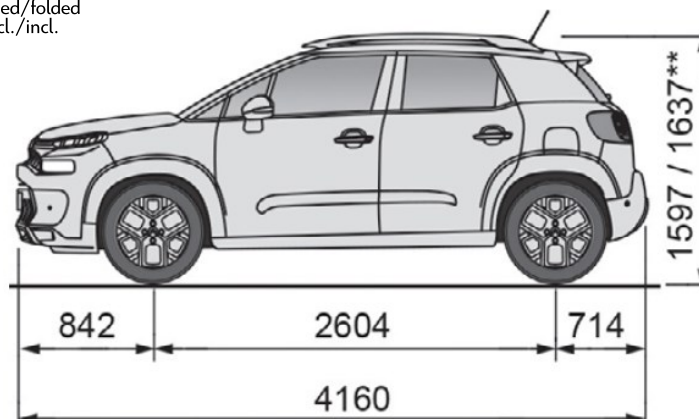
9" capacitive colour touchscreen with 3D Navigation	●
Audio system with 6 speakers	●
Bluetooth®, Apple CarPlay™ & Android Auto connectivity	●
Voice recognition function & Steering wheel controls	●
12V sockets front (x1) & rear (x1) with front USB socket	●

## WARRANTY & MAINTENANCE

5-year/100,000 km* Citroën Vehicle Warranty & 5-year Roadside Assistance	●
3-year/45,000 km* Citroën Assured Service Plan	\$1,590
5-year/75,000 km* Citroën Assured Service Plan	\$2,790



\*Mirrors unfolded/folded  
\*\*Roof bars excl./incl.



● standard equipment

\*Whichever comes first. Please refer to your authorised Citroën Dealer for further information.

January 2023 Edition